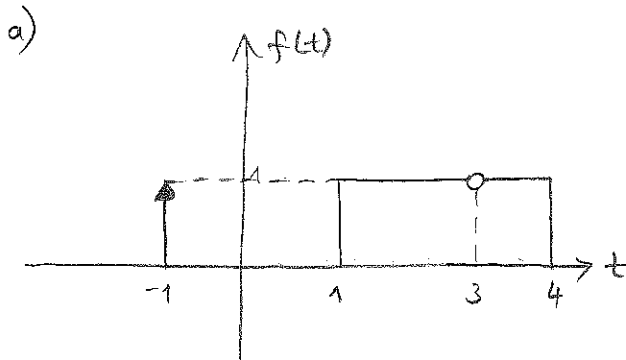
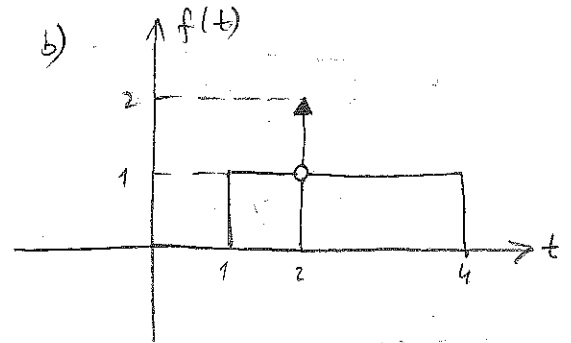


Example

Write functions of the graphs below in terms of unit step functions and unit impulse functions



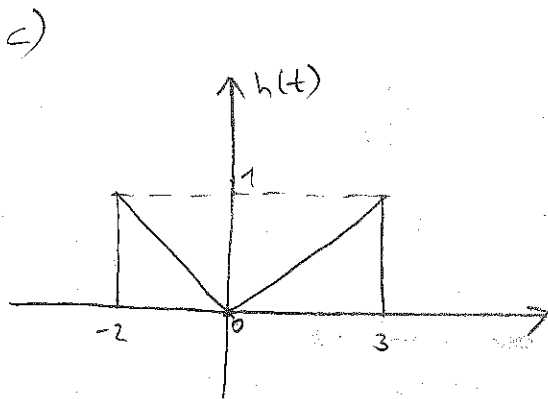
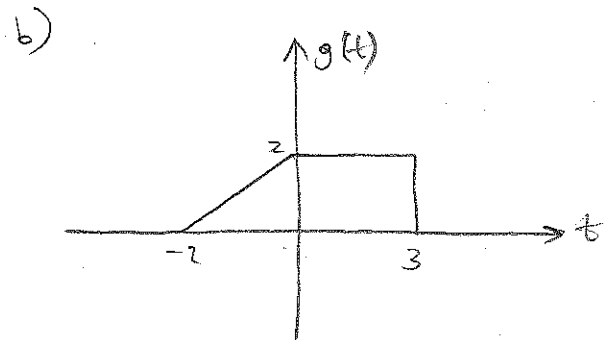
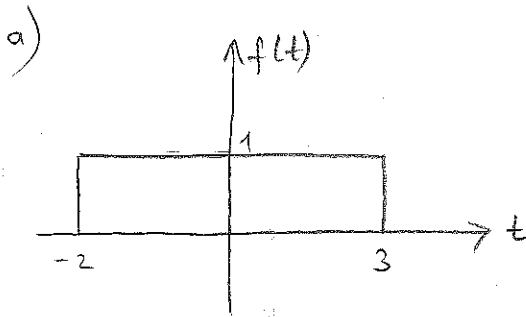
$$f(t) = \delta(t+1) + u(t-1) - \delta(t-3) - u(t-4)$$



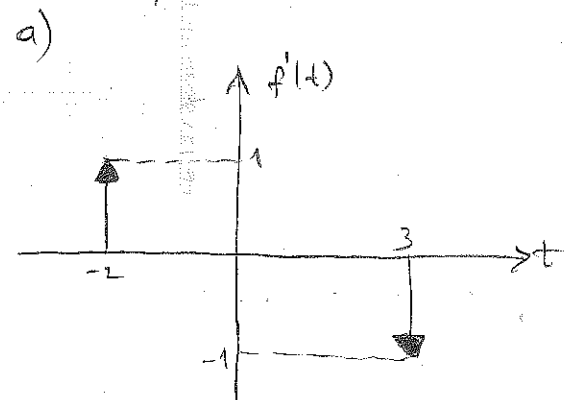
$$f(t) = u(t-1) + \delta(t-2) - u(t-4)$$

Example

Evaluate and plot the derivatives of the given graphs.

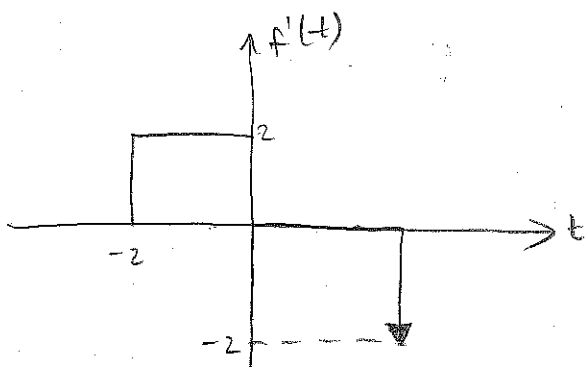


Derivative of



Derivative of

b)



Derivative of

c)

